

SWING SERIES G30

STURDY AND POWERFUL FOR LARGES APERTURES

Electro-mechanical reduction gear available in 4 versions, for sliding gates up to 1800, 2200 kg. The main structure is in die-cast aluminium, stove-enamelled with specific epoxy resins for outdoors.

VERSIONS

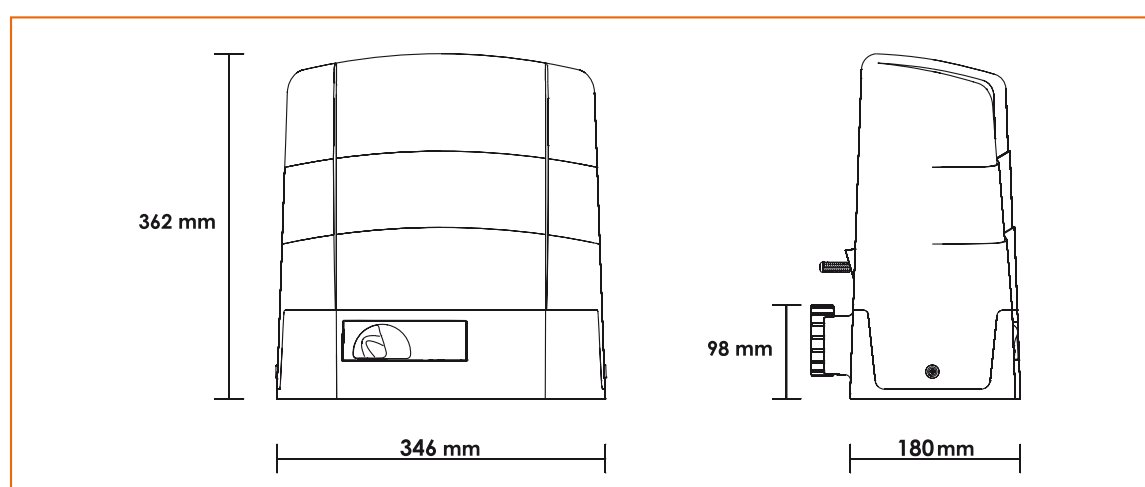
- G30/1803** 230V • with built-in control unit • gate stop
- G30/1804** 230V • with built-in control unit • magnetic gate stop
- G30/2203** 230V • with built-in control unit • gate stop
- G30/2204** 230V • with built-in control unit • magnetic gate stop



TECHNICAL DATA

G30		G30/1803	G30/2203
		G30/1804	G30/2204
POWER SUPPLY	V	230	230
RATING	W	520	580
THRUST	N	1200	1500
DUTY CYCLE	%	50	50
MOTOR OVERLOAD CUTOFF	°C	150	150
WORKING TEMPERATURE	°C	-20+70	-20+70
SPEED OF MOVEMENT	m/min	9,5	9,5
MAX GATE WEIGHT	Kg	1800	2200

DIMENSIONS



ACCESSORIES



GA550
galvanised steel rack
22x22x1000 module 4



GA551
galvanised steel rack
30x12x1000 module 4
complete with spacers and
screws



GA552
nylon rack module 4
with 4 connectors
L 1000



GA553
nylon rack module 4
with 6 connectors
L 1000



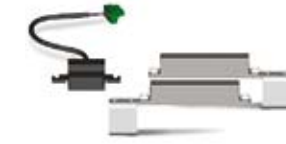
MC751
gate stop
for control unit R70/1AC



MC752
gate stop kit
for control unit R70/1AC



MC753
magnetic gate stop
for control unit R70/1AC



MC754
magnetic gate stop kit
for control unit R70/1AC



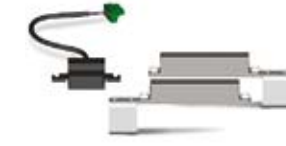
MC762
gate stop
for control unit H70/100AC



MC763
gate stop kit
for control unit H70/100AC



MC764
magnetic gate stop
for control unit H70/100AC



MC765
magnetic gate stop kit
for control unit H70/100AC



MC772
gate stop
for control unit H70/101AC



MC773
gate stop
kit for control unit H70/101AC



MC774
magnetic gate stop
for control unit H70/101AC



MC775
magnetic gate stop kit
for control unit H70/101AC



MC771
safety micro
for control unit H70/101AC

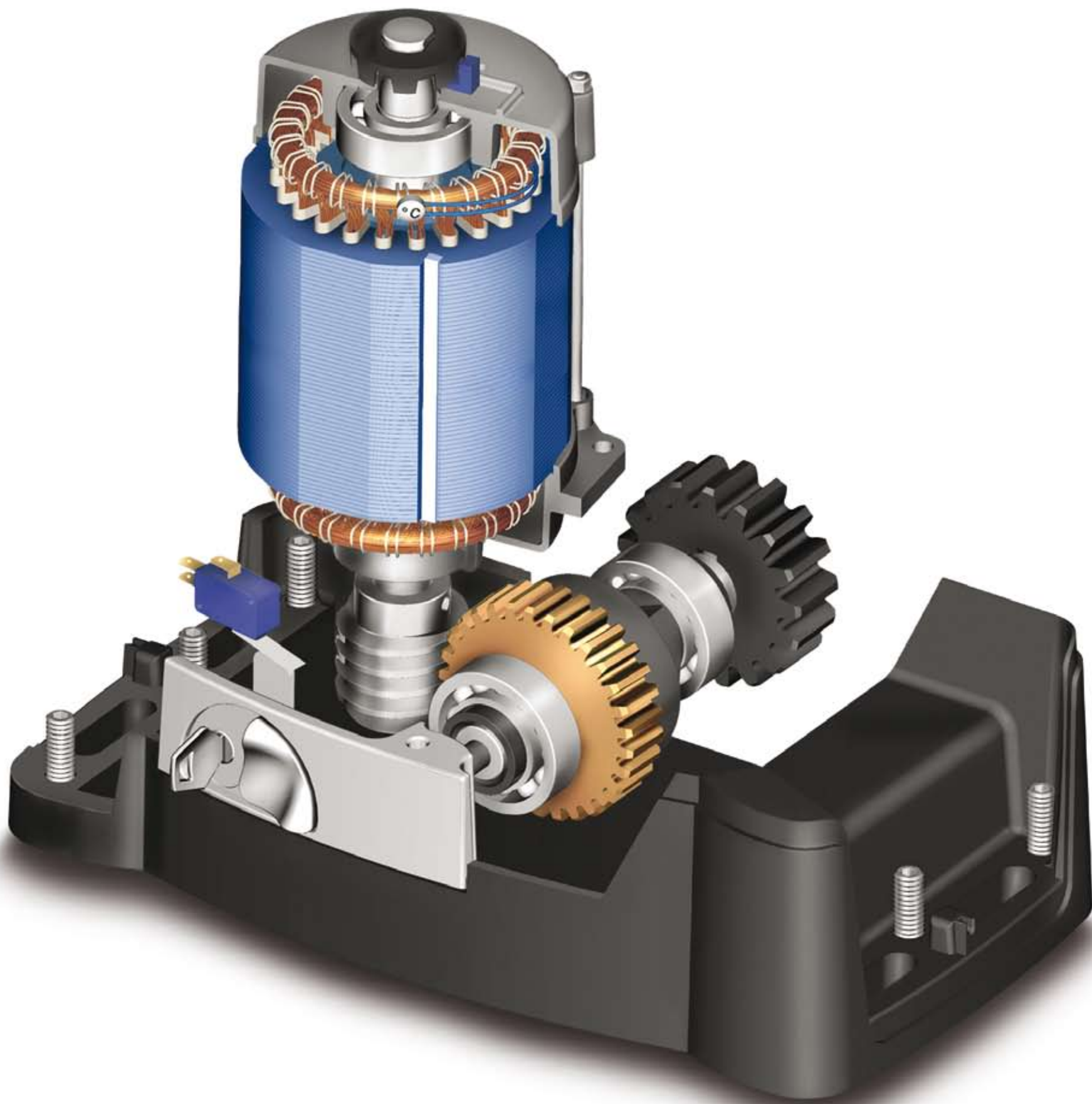


KT215
fixing plate
complete with stay
bolts and screws
for G30



KT222
fixing plate
raised with stay bolts
and screws for G30

"G30 style Roger Technology conceived with logic"



ALL-ROUND PROTECTION

Electric motor protected by a sensitive safety thermostat.



SURE RELEASE

The solid die-cast aluminium release handle with customized key allows release and manual movement of the gate at all time.



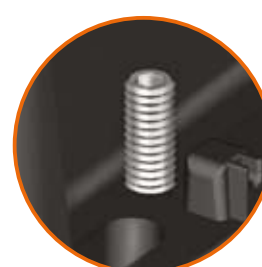
EVERYTHING IN PLACE

2 seals ensure perfect tightness with regard to the grease inside the reduction gear and at the same time keep water out.



BRONZE AND STEEL FOR PERFECT MATING

Bronze crown gear and steel worm screw with precision finishing and hardening of the thread to ensure perfect, low-noise and durable mating.



PRECISE FIXING

6 points for meticulous levelling to obtain best support.



PRECISELY CENTRED

All the housing of the bearings and the motor assembly are turned and ensure long-lasting constant, perfect and silent rotation.



CONTROL AND SAFETY

Optical encoder for constant control of gate movement.