

## SERIES R21 SWING GATE AUTOMATION

### UNDERGROUND FOR STRENGTH

Electro-mechanical reduction gear for swing gates up to 3,5 metres in width. The sturdy die-cast aluminium housing has been structurally designed to withstand the high forces involved. When installed it is totally concealed inside the foundation box.

### VERSIONS

**R21/351** 230V • irreversible standard

**R21/361** 230V • irreversible standard • 10 mt cable length

**R21/362** 230V • irreversible tandem • double bearing • 10 mt cable length

**R21/368** 230V • irreversible tandem • double bearing • 10 mt cable length • 6 poles



### TECHNICAL DATA

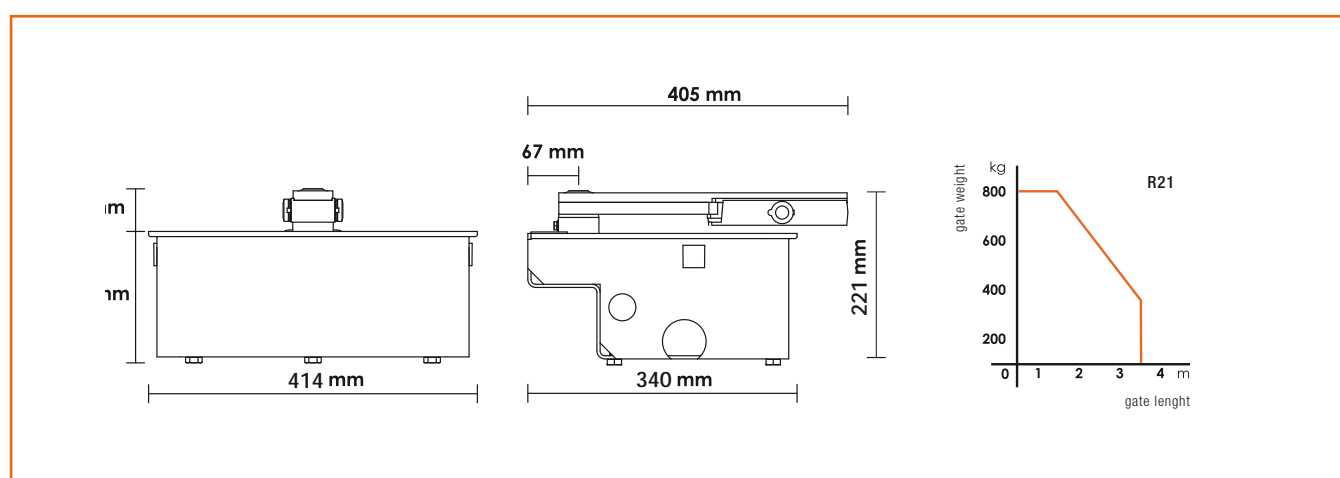
**R21/351**  
**R21/361**  
**R21/362**

**R21/368**

#### R21

		R21/351 R21/361 R21/362	R21/368
POWER SUPPLY	V	230	230
RATING	W	200	180
MAX THRUST	N	300	250
TIME FOR OPENING 90°	s	19	29
DUTY CYCLE	%	30	30
MOTOR OVERLOAD CUTOFF	°C	140	140
WORKING TEMPERATURE	°C	-20+70	-20+70
PROTECTION RATING	IP	67	67
OPERATOR WEIGHT	Kg	13,5	13,5

### DIMENSIONS



### ACCESSORIES



**FU100**  
steel foundation box  
and lid cold galvanised



**FU101**  
steel foundation box  
and lid hot galvanised



**FU102**  
hot galvanised steel foundation  
box and stainless steel  
AISI 304 lid



**FU103**  
stainless steel AISI 304  
foundation box  
and lid



**LT300**  
hinge plate set  
for opening up to 125°



**LT301**  
hinge plate set  
for opening up to 360°



**RL650**  
release system for underground  
installation with standard lever



**RL651**  
release system  
for underground installation  
with key

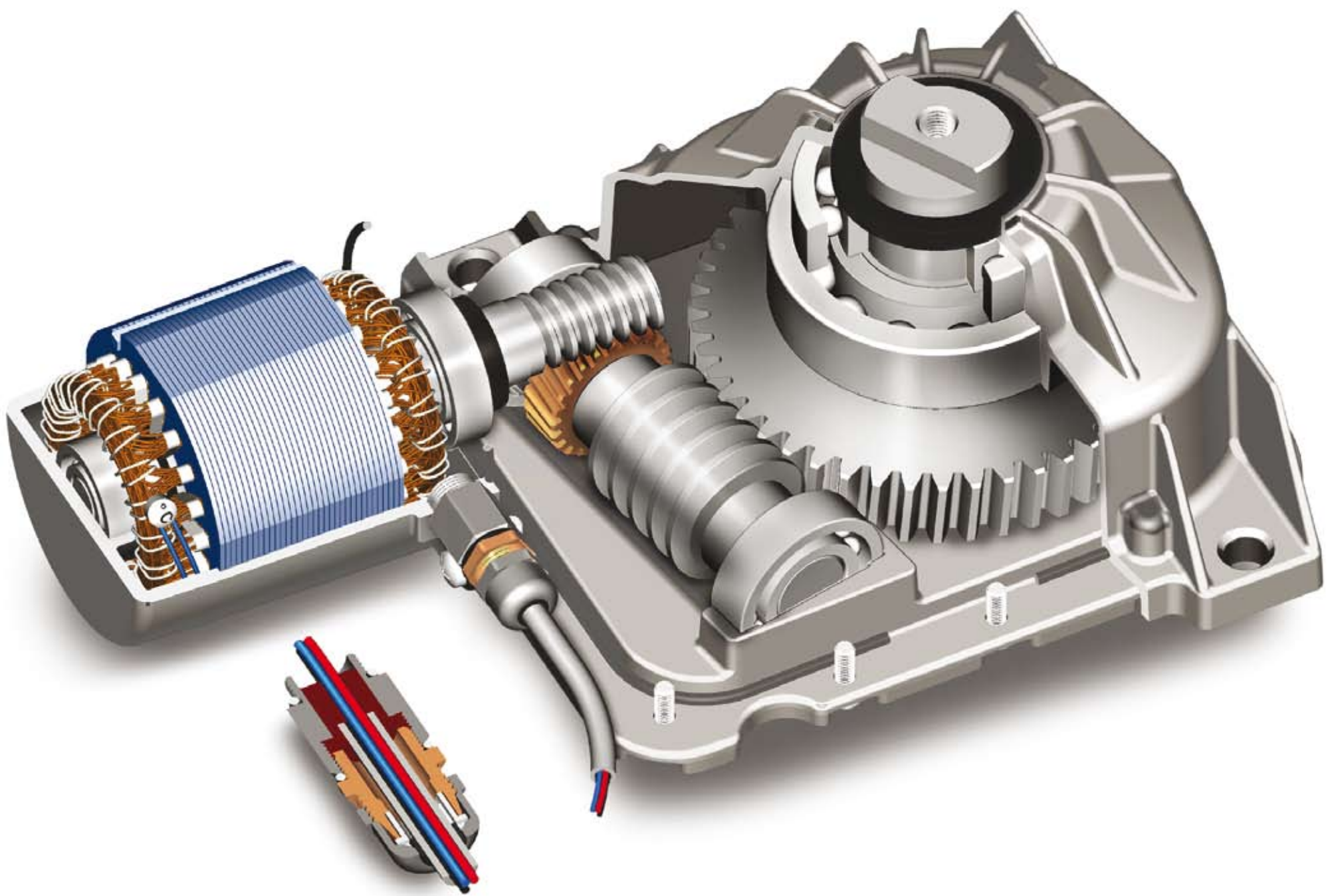


**RL652**  
standard release lever  
for underground installation



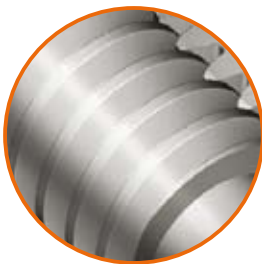
**KT207**  
standard installation accessories  
kit range R21

# "R21 style Roger Technology conceived with logic"



#### FOR THE CABLE ONLY

Cable tray in steel and brass sealed with epoxy resins.



#### WORM

Worm screw in special steel with precision finishing and hardening of the thread.



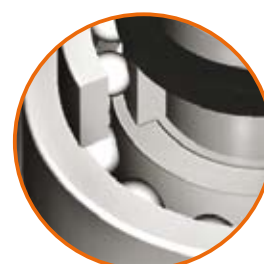
#### INOXIDIZABLE

Even the small things are important and so all the assembling screw are in stainless steel.



#### NO FEAR OF FATIGUE

The 150 mm diameter main gear is made in cast iron with structure in spheroidal graphite and is designed also for heavy duty.



#### TANDEM

Second bearing for those who want more.



#### DOUBLE PROTECTION

Special double lip seal to guarantee high degree of protection.



#### ALLUMINIUM WITH TITANIUM

Melting with titanium in controlled atmosphere results in highly compact pieces that are more water-proof.